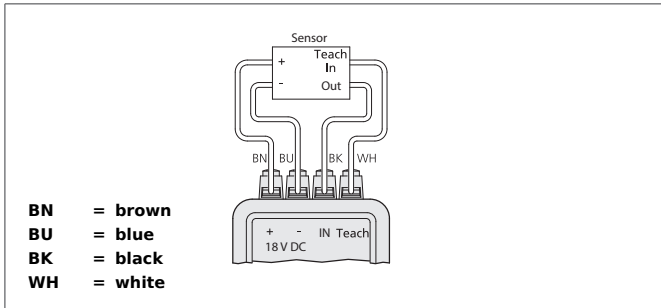


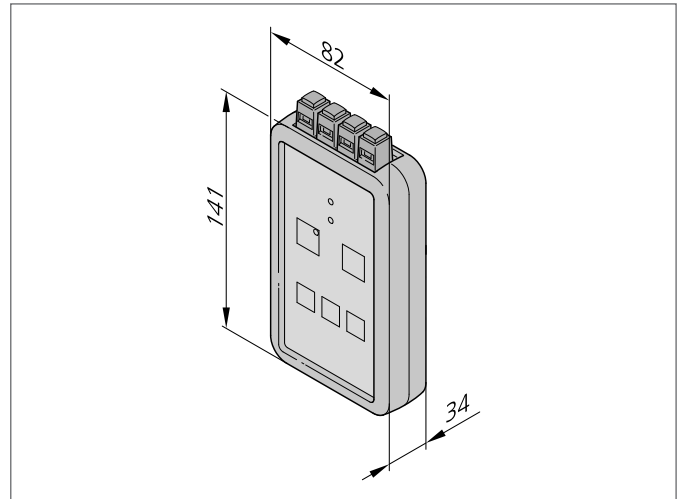
# ST 7PNG Sensor Tester

- Teach output for remote teach
- Automatic detection pnp/npn/push-pull
- Visual and acoustic signal
- Buzzer can be switched off
- Operation via batteries and external power supply
- Quick-action sockets
- Automatic switch-off
- Compact design and low weight
- Shock protection trough silicone casing



## Safety instructions

The Instruments are not to be used for safety applications, in particular applications in which safety of persons depends on proper operation of the instruments.  
 These instruments shall exclusively be used by qualified personnel.



TECHNICAL INFORMATION (typ.)		+20°C, 24V DC
Size		135 x 76 x 27 mm without protective casing (Dimensions)
Internal power consumption		< 40 mA
Output voltage		18 V DC
Protection class		IP 21
to be used for		pnp, npn and push-pull sensors
Connection		quick-action sockets
Current limiting		60 mA in battery operation, 240 mA in operation with external power supply
Scope of delivery		3x 1.5 V alkaline batteries type AA